

# US-35F~100F

**US - 35 F - [ ] - [ ] - AC110 - [ ]**

**MODEL**

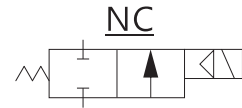
**Pipe Size**  
 35 : 1 1/4"  
 40 : 1 1/2"  
 50 : 2"  
 65 : 2 1/2"  
 80 : 3"  
 100 : 4"

**Voltage**  
 AC220V(50/60)Hz  
 AC110V(50/60)Hz  
 DC24V

**Operating Fluid**  
 [ ] : Standard (steam)  
 LO : Light oil  
 W : Water, air

**Coil**  
 [ ] : Standard coil  
 D : Waterproof (under 130°C)  
 N : NASS DIN COIL (under 130°C)

**Flange End**  
 [ ] : Standard (JIS 10K)  
 ANSI 150LB  
 PN 16



## PRODUCT DESCRIPTION

- SUW series is multiplex, piston guiding, conductive and normally closed (NC) 2/2 way solenoid valve.
- Applied fluid type : water, air, light oil
- Acceptable for customization Viton (130°C) , Silicone (130°C) and EPDM (130°C) for seal plug

## CAUTIONS:

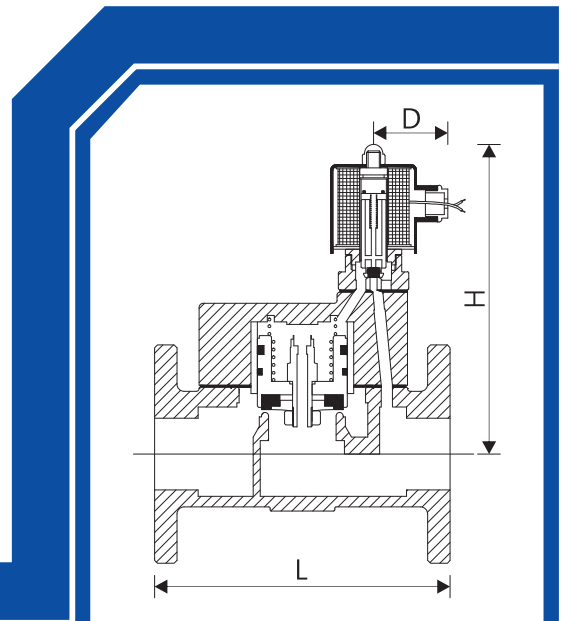
- Minimum pressure to open: over 0.5kgf-cm<sup>2</sup>
- Before pipelining, the pipe line must be very clean without any contaminants or impurity.
- To extend the lifetime, Y-line filter should be installed in the front end of solenoid valve.
- AC voltage tolerance: ± 10%; DC voltage tolerance: ± 1%
- It should be installed horizontally; vertical installation is not advisable.

## Not Suitable For Fluid As Below:

- Liquid status when it is in high temperature; solid status when it is in low temperature.
- Corrosive fluid
- Viscosity over 20cst

## MATERIAL:

PARTS	Coil	Tube	Spring	Core	Plug	Piston Spring	Piston plug	Valve body
MATERIAL	Special copper wire (H class)	Stainless steel	Stainless steel	Stainless steel	PTFE	Stainless steel	PTFE	Cast Iron (FC-20)



## SPECIFICATION

MODEL	Waterproof DIN/flying lead Coil	NASS DIN Coil (IP65)	PIPE SIZE	CV	ORIFICE	FLUID TEMP. (°C)	Operating Pressure kgf / cm <sup>2</sup> (bar)					Dimension (mm)			Weight (kg)
							Water	Air	Steam	Light oil	Gas	L	H	D	
US-35F	●		1 1/4"	22	35mm	-5°C ~ +185°C	1~10	1~10	1~10	1~10		200	189	48	10.7
US-40F	●		1 1/2"	30	40mm	-5°C ~ +185°C	1~10	1~10	1~10	1~10		200	189	48	10.9
US-50F	●		2"	40	50mm	-5°C ~ +185°C	1~10	1~10	1~10	1~10		210	202	48	13.2
US-65F	●		2 1/2"	68	65mm	-5°C ~ +185°C	1~10	1~10	1~10	1~10		240	209	48	19.2
US-80F	●		3"	100	80mm	-5°C ~ +185°C	1~10	1~10	1~10	1~10		300	228	48	27
US-100F	●		4"	175	100mm	-5°C ~ +185°C	1~10	1~10	1~10	1~10		340	244	48	38.7